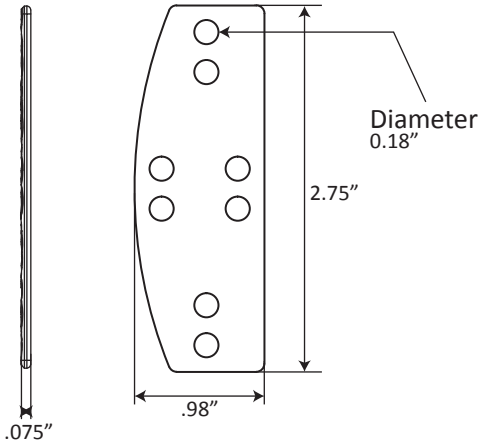


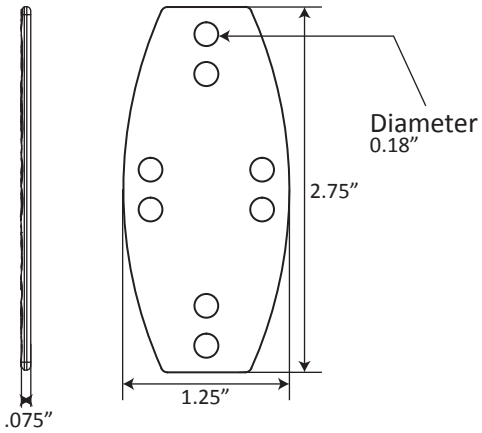
# WISBY SPEC SHEET

## SPECIFICATIONS

### D-PLATE



### CENTER PLATE



GENERAL	D-PLATE	CENTER PLATE
HEIGHT	2.75 in.	2.75 in.
WIDTH	.98 in.	1.25 in.
THICKNESS	0.075 in.	0.075 in.
WEIGHT	0.64lbs. per 100	0.75 lbs. per 100
MATERIAL	polycarbonate	polycarbonate
TYPICAL SUIT WEIGHT		4 lbs.
TYPICAL PLATES/SUIT		600
LENGTH ESTIMATE	22 plates per foot of length	

#### TO CALCULATE AMOUNT NEEDED FOR D-PLATE:

The following equations can be used to approximate the number of plates needed for a rectangular assembly. All units in inches.

$$\text{Plates per Row} = (1.75)(\text{Width} - 0.49)$$

$$\text{Rows} = (0.40)(\text{Height} - 2.04)$$

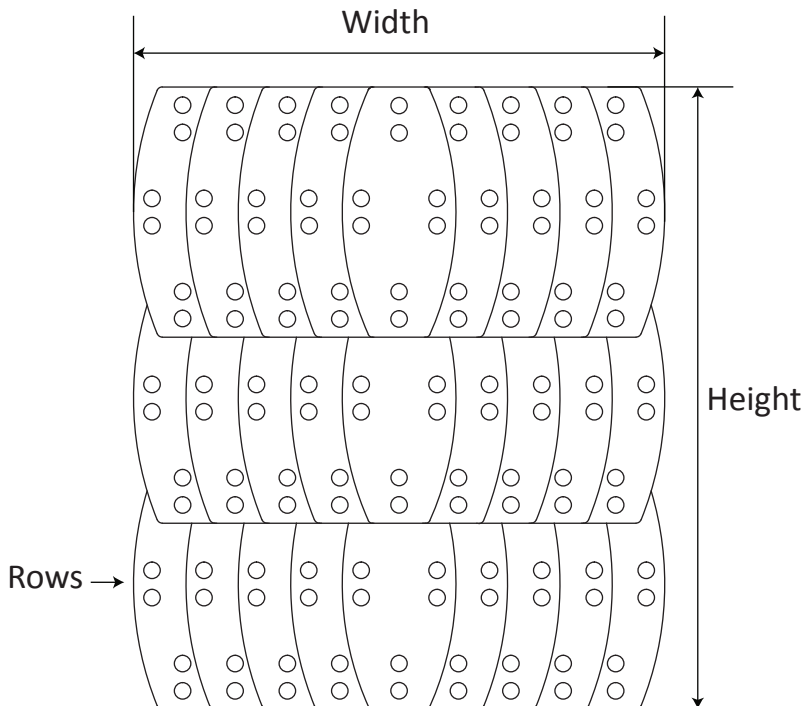
$$\text{Total Plates} = (\text{Rows})(\text{Plates Per Row})$$

\*Center plates are not included in these equations. Typically one center plate is used per row or any time direction of overlap changes.

Lacing: (using 1/8 in. nylon cord in a typical lacing style)

Plate to plate lacing: 2 ft. 1in. of lacing = 1ft. of length.

Row to row lacing: 3 ft. of lacing = connection of two 1ft. rows



Example: 9 plates to a row typical overlap

