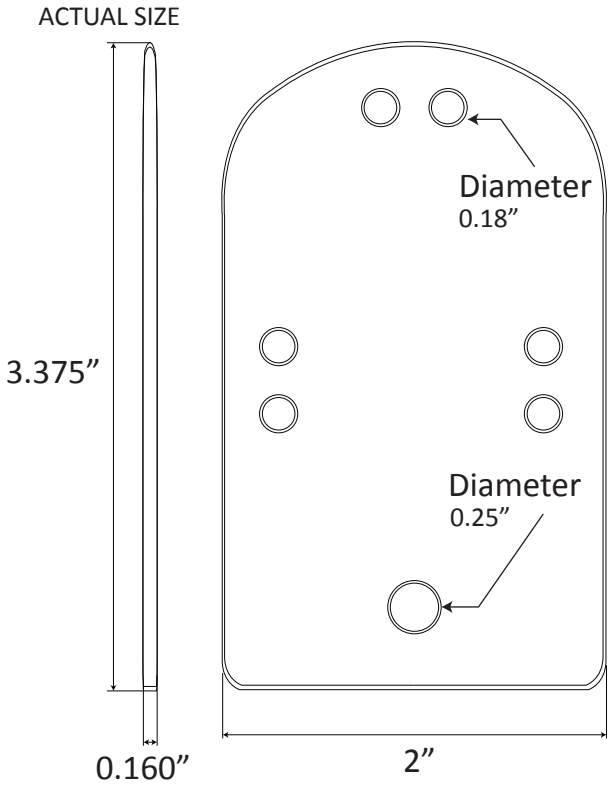


# NEWCASTLE SPEC SHEET

## SPECIFICATIONS



| GENERAL             |                              |
|---------------------|------------------------------|
| HEIGHT              | 3.375 in.                    |
| WIDTH               | 2 in.                        |
| THICKNESS           | 0.160 in.                    |
| WEIGHT              | 1.54 lbs. per 50             |
| MATERIAL            | polycarbonate                |
| TYPICAL SUIT WEIGHT | 7.5lbs.                      |
| TYPICAL PLATES/SUIT | takes 250 - 300 plates       |
| LENGTH ESTIMATE     | 10 plates per foot of length |

**TO CALCULATE AMOUNT NEEDED:**  
 The following equations can be used to approximate the number of plates needed for a rectangular assembly. All units in inches.

Plates per Row =  $(0.8)(\text{Width} - 0.38)$

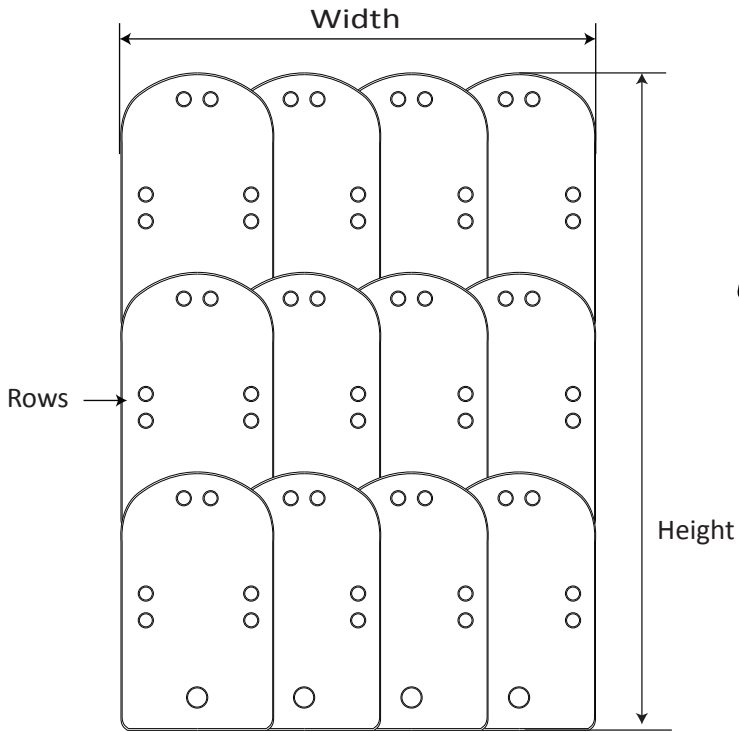
Rows =  $(0.4)(\text{Height} - 0.44)$

Total Plates =  $(\text{Rows})(\text{Plates Per Row})$

Lacing: (using 1/8 in. nylon cord in a typical lacing style)

Plate to plate lacing: 2 ft. of lacing = 1ft. of length.

Row to row lacing: 2 ft. 7in. of lacing = connection of two 1ft. rows



Example: 4 plates to a row

